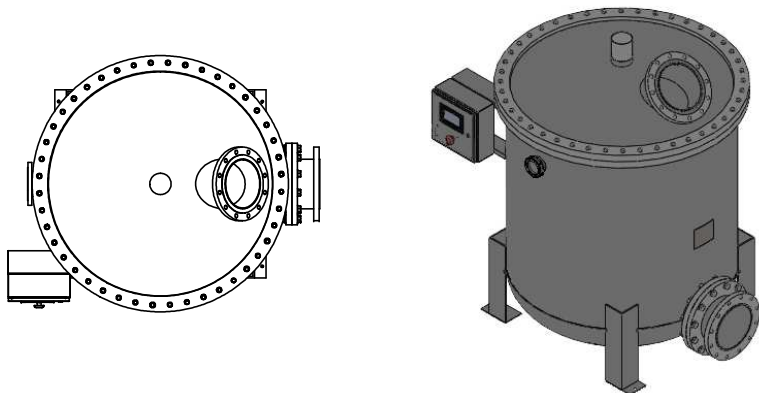


4

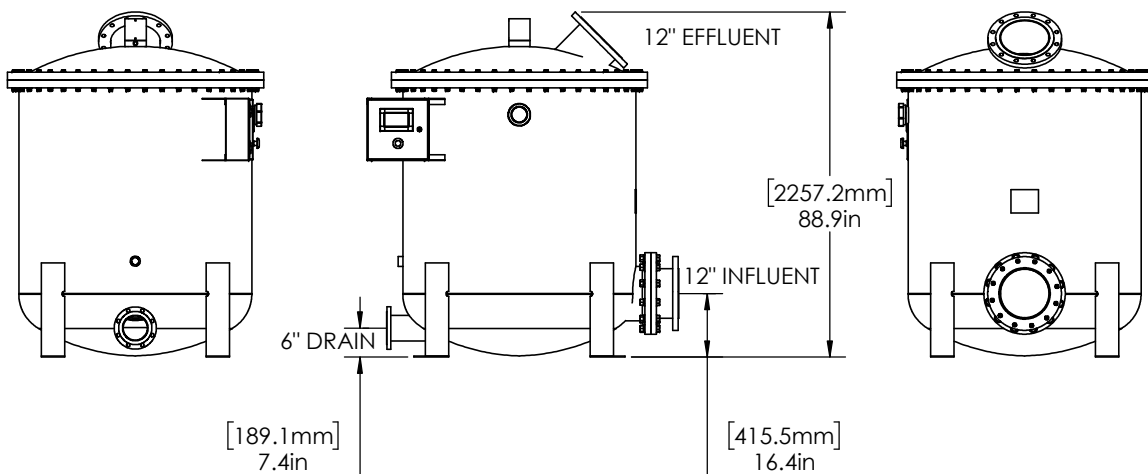
3

2

1



	Imperial	Metric
Filter Area	2222 sq ft	206.4 sq meter
Flow Range	575 - 6666 GPM	127 - 1513 m ³ /hr
Dry Weight	2882 lbs	1307 kg
Operating Weight	12112 lbs	5494 kg
Tank Volume	1088 USG	4.12 m ³
Media Charge	167 lbs	76 kg



Notes:

- Length of straight pipe required on influent or effluent: None.
- Elbows directly on influent or effluent: Permitted.
- Standard maximum operating pressure: 50 psi.
- NSF approved cleaning method: CIP (clean-in-place)
- Automated cleaning cycle: Standard. No disassembly.
- Approved cleaning solutions are environmentally friendly: True.
- Control Voltage: 24VDC
- Control Valve Actuation: Compressed Air via 24VDC control.
- Preferred VFD: Danfoss Aqua Drive FC202 / Pentair Intellidrive XL
- Preferred Flow Meter: Signet 3-2551-XX-12 Magmeter.
- Supplied Automated Butterfly Valves: 12" Effluent, 8" Revival (pre-coat).
- Supplied Butterfly Valves: Strainer Isolation, Pump Throttle, Drain, Manual Fill.
- Supplied Ball Valves: Media Fill, System Vent, Tank Vent, Vacuum.
- Perlite Media Supplied: Purelite 1000 or Harborlite AP25.
- Control May Be Rotated Or Wall Mounted.
- Effluent Nozzle May Be Rotated Through 360 Degrees.



Certified to NSF/ANSI Standard 50



Certified to NSF/ANSI-CAN 61 & NSF/ANSI 372

PROPRIETARY AND CONFIDENTIAL
 THE INFORMATION CONTAINED IN THIS DRAWING IS THE SOLE PROPERTY OF AQUAREVIVAL LLC. ANY REPRODUCTION IN PART OR AS A WHOLE WITHOUT THE WRITTEN PERMISSION OF AQUAREVIVAL LLC IS PROHIBITED.

		UNLESS OTHERWISE SPECIFIED:	NAME	DATE	AquaRevival LLC TITLE: GENERAL ARRANGEMENT		
		DIMENSIONS ARE IN INCHES	DRAWN	PN			1/2/18
		TOLERANCES:	CHECKED				
		FRACTIONAL ±	ENG APPR.				
		ANGULAR: MACH ± BEND ±	MFG APPR.			SIZE DWG. NO. REV B BSG 60T	
		TWO PLACE DECIMAL ±	Q.A.				
		THREE PLACE DECIMAL ±			SCALE: 1:32	WEIGHT:	
		INTERPRET GEOMETRIC TOLERANCING PER:			SHEET 1 OF 1		
		MATERIAL					
		FINISH					
		APPLICATION					
		DO NOT SCALE DRAWING					
NEXT ASSY	USED ON						

4

3

2

1