

4

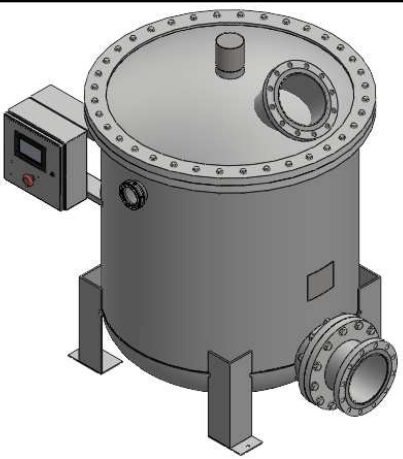
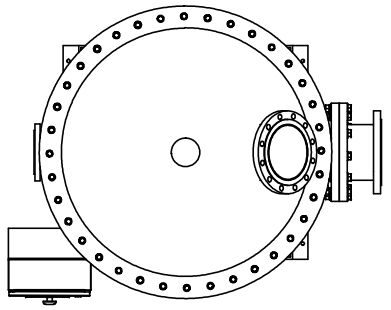
3

2

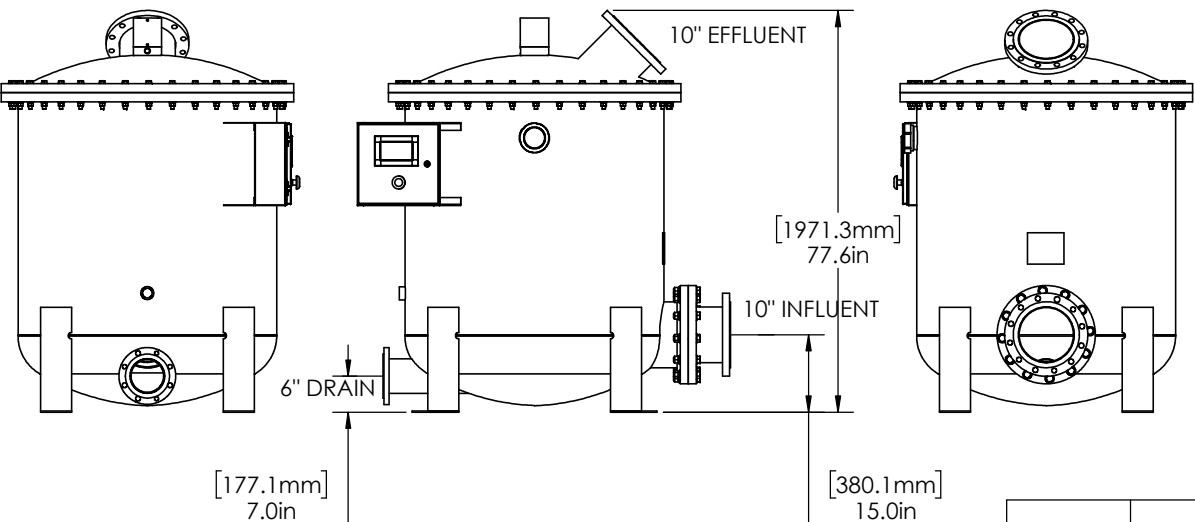
1

B

B



BSG 50	Imperial	Metric
Filter Area	1118 sq ft	103.9 sq meter
Flow Range	373 - 3354 GPM	84 - 761 m <sup>3</sup> /hr
Dry Weight	1933 lbs	877 kg
Operating Weight	6632 lbs	3008 kg
Tank Volume	554 USG	2.10 m <sup>3</sup>
Media Charge	84 lbs	38 kg



Notes:

- Length of straight pipe required on influent or effluent: None.
- Elbows directly on influent or effluent: Permitted.
- Standard maximum operating pressure: 50 psi.
- NSF approved cleaning method: CIP (clean-in-place)
- Automated cleaning cycle: Standard. No disassembly.
- Approved cleaning solutions are environmentally friendly: True.
- Control Voltage: 24VDC
- Control Valve Actuation: Compressed Air via 24VDC control.
- Preferred VFD: Danfoss Aqua Drive FC202 / Pentair Intellidrive XL
- Preferred Flow Meter: Signet 3-2551-XX-12 Magmeter.
- Supplied Automated Butterfly Valves: 10" Effluent, 8" Revival (pre-coat).
- Supplied Butterfly Valves: Strainer Isolation, Pump Throttle, Drain, Manual Fill.
- Supplied Ball Valves: Media Fill, System Vent, Tank Vent, Vacuum.
- Perlite Media Supplied: Purelite 1000 or Harborlite AP25.
- Control May Be Rotated Or Wall Mounted.
- Effluent Nozzle May Be Rotated Through 360 Degrees.

A

A



**PROPRIETARY AND CONFIDENTIAL**  
 THE INFORMATION CONTAINED IN THIS DRAWING IS THE SOLE PROPERTY OF AQUAREVIVAL LLC. ANY REPRODUCTION IN PART OR AS A WHOLE WITHOUT THE WRITTEN PERMISSION OF AQUAREVIVAL LLC IS PROHIBITED.

		UNLESS OTHERWISE SPECIFIED:		NAME		DATE		<b>AquaRevival LLC</b> TITLE: <b>GENERAL ARRANGEMENT</b>	
		DIMENSIONS ARE IN INCHES		DRAWN		1/2/18			
		TOLERANCES:		CHECKED					
		FRACTIONAL ±		ENG APPR.					
		ANGULAR: MACH ±		MFG APPR.				SIZE DWG. NO. REV <b>B</b> <b>BSG 50</b>	
		TWO PLACE DECIMAL ±		Q.A.				SCALE: 1:24 WEIGHT: SHEET 1 OF 1	
		THREE PLACE DECIMAL ±							
		INTERPRET GEOMETRIC TOLERANCING PER:							
		MATERIAL							
		FINISH							
NEXT ASSY		USED ON							
APPLICATION		DO NOT SCALE DRAWING							

4

3

2

1