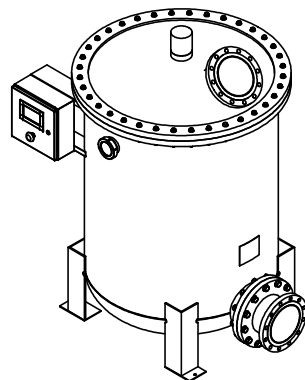
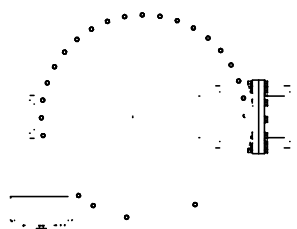


4

3

2

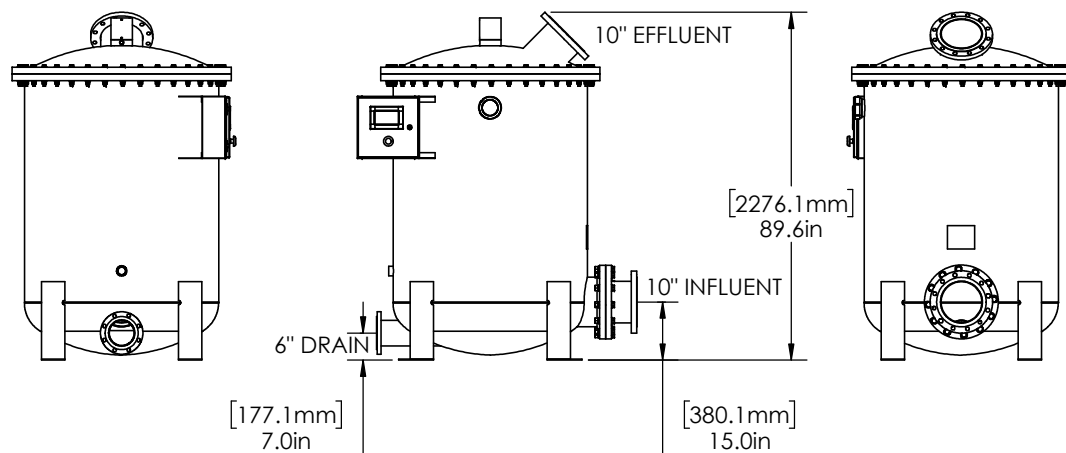
1



BSG 50T	Imperial	Metric
Filter Area	1488 sq ft	138.2 sq meter
Flow Range	373 - 4464 GPM	84 - 1013 m ³ /hr
Dry Weight	1992 lbs	904 kg
Operating Weight	8234 lbs	3734 kg
Tank Volume	736 USG	2.79 m ³
Media Charge	112 lbs	51 kg

Notes:

- Length of straight pipe required on influent or effluent: None.
- Elbows directly on influent or effluent: Permitted.
- Standard maximum operating pressure: 50 psi.
- NSF approved cleaning method: CIP (clean-in-place)
- Automated cleaning cycle: Standard. No disassembly.
- Approved cleaning solutions are environmentally friendly: True.
- Control Voltage: 24VDC
- Control Valve Actuation: Compressed Air via 24VDC control.
- Preferred VFD: Danfoss Aqua Drive FC202 / Pentair Intellidrive XL
- Preferred Flow Meter: Signet 3-2551-XX-12 Magmeter.
- Supplied Automated Butterfly Valves: 10" Effluent, 8" Revival (pre-coat).
- Supplied Butterfly Valves: Strainer Isolation, Pump Throttle, Drain, Manual Fill.
- Supplied Ball Valves: Media Fill, System Vent, Tank Vent, Vacuum.
- Perlite Media Supplied: Purelite 1000 or Harbortrite AP25.
- Control May Be Rotated Or Wall Mounted.
- Effluent Nozzle May Be Rotated Through 360 Degrees.



Certified to
NSF/ANSI Standard 50



Certified to
NSF/ANSI-CAN 61
& NSF/ANSI 372

PROPRIETARY AND CONFIDENTIAL
THE INFORMATION CONTAINED IN THIS DRAWING IS THE SOLE PROPERTY OF AQUAREVIVAL LLC. ANY REPRODUCTION IN PART OR AS A WHOLE WITHOUT THE WRITTEN PERMISSION OF AQUAREVIVAL LLC IS PROHIBITED.

		UNLESS OTHERWISE SPECIFIED:		NAME		DATE		AquaRevival LLC			
		DIMENSIONS ARE IN INCHES		DRAWN		1/2/18				TITLE: GENERAL ARRANGEMENT	
		TOLERANCES:		CHECKED							
		FRACTIONAL ±		ENG APPR.							
		ANGULAR: MACH ±		MFG APPR.				SIZE DWG. NO. REV			
		TWO PLACE DECIMAL ±		G.A.				B BSG 50T			
		THREE PLACE DECIMAL ±						SCALE: 1:32 WEIGHT: SHEET 1 OF 1			
		INTERPRET GEOMETRIC TOLERANCING PER:									
		MATERIAL									
		FINISH									
NEXT ASSY		USED ON									
APPLICATION		DO NOT SCALE DRAWING									

4

3

2

1

