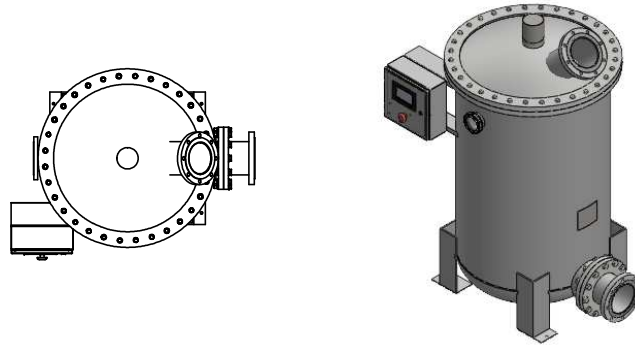


4

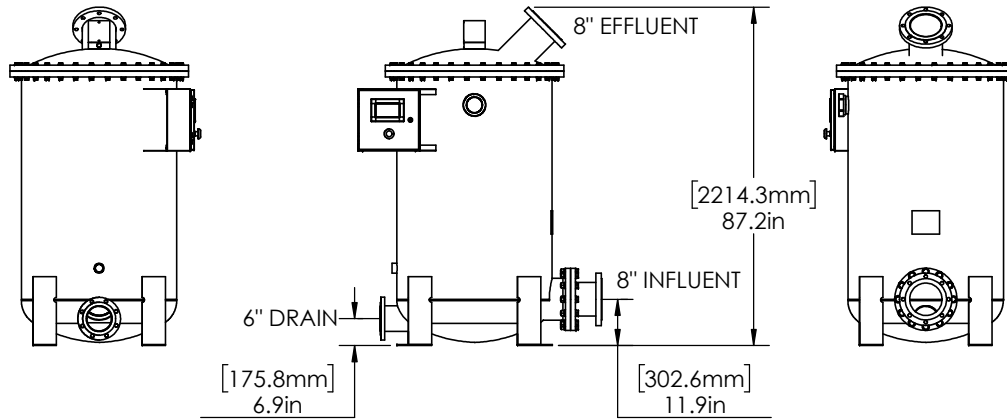
3

2

1



BSG 40T	Imperial	Metric
Filter Area	940 sq ft	87.3 sq meter
Flow Range	235 - 2820 GPM	53 - 640 m ³ /hr
Dry Weight	1425 lbs	646 kg
Operating Weight	5411 lbs	2454 kg
Tank Volume	470 USG	1.78 m ³
Media Charge	71 lbs	32 kg



Notes:

- Length of straight pipe required on influent or effluent: None.
- Elbows directly on influent or effluent: Permitted.
- Standard maximum operating pressure: 50 psi.
- NSF approved cleaning method: CIP (clean-in-place)
- Automated cleaning cycle: Standard. No disassembly.
- Approved cleaning solutions are environmentally friendly: True.
- Control Voltage: 24VDC
- Control Valve Actuation: Compressed Air via 24VDC control.
- Preferred VFD: Danfoss Aqua Drive FC202 / Pentair Intellidrive XL
- Preferred Flow Meter: Signet 3-2551-XX-12 Magmeter.
- Supplied Automated Butterfly Valves: 8" Effluent, 6" Revival (pre-coat).
- Supplied Butterfly Valves: Strainer Isolation, Pump Throttle, Drain, Manual Fill.
- Supplied Ball Valves: Media Fill, System Vent, Tank Vent, Vacuum.
- Perlite Media Supplied: Purelite 1000 or Harborlite AP25.
- Control May Be Rotated Or Wall Mounted.
- Effluent Nozzle May Be Rotated Through 360 Degrees.



PROPRIETARY AND CONFIDENTIAL
 THE INFORMATION CONTAINED IN THIS DRAWING IS THE SOLE PROPERTY OF AQUAREVIVAL LLC. ANY REPRODUCTION IN PART OR AS A WHOLE WITHOUT THE WRITTEN PERMISSION OF AQUAREVIVAL LLC IS PROHIBITED.

		UNLESS OTHERWISE SPECIFIED:	NAME	DATE	AquaRevival LLC		
		DIMENSIONS ARE IN INCHES	DRAWN	PN		1/2/18	
		TOLERANCES:	CHECKED				
		FRACTIONAL: ±	ENG APPR.				
		ANGULAR: MACH ± BEND ±	MFG APPR.				
		TWO PLACE DECIMAL ±	Q.A.				
		THREE PLACE DECIMAL ±					
		INTERPRET GEOMETRIC TOLERANCING PER:			SIZE	DWG. NO.	REV
		MATERIAL			B	BSG 40T	
NEXT ASSY	USED ON	FINISH			SCALE: 1:32	WEIGHT:	SHEET 1 OF 1
APPLICATION		DO NOT SCALE DRAWING					

4

3

2

1