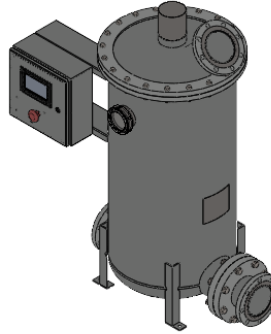
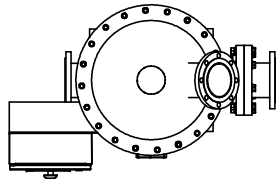


4

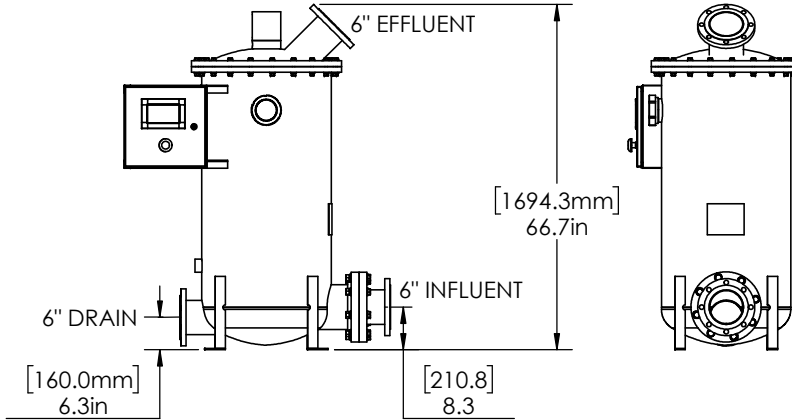
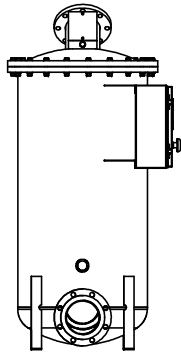
3

2

1



BSG 25	Imperial	Metric
Filter Area	256 sq ft	23.8 sq meter
Flow Range	85 - 768 GPM	19 - 174 m ³ /hr
Dry Weight	707 lbs	321 kg
Operating Weight	1,800 lbs	816 kg
Tank Volume	129 USG	0.49 m ³
Media Charge	19 lbs	9 kg



Notes:

- Length of straight pipe required on influent or effluent: None.
- Elbows directly on influent or effluent: Permitted.
- Standard maximum operating pressure: 50 psi.
- NSF approved cleaning method: CIP (clean-in-place)
- Automated cleaning cycle: Standard. No disassembly.
- Approved cleaning solutions are environmentally friendly: True.
- Control Voltage: 24VDC
- Control Valve Actuation: Compressed Air via 24VDC control.
- Preferred VFD: Danfoss Aqua Drive FC202 / Pentair Intellidrive XL
- Preferred Flow Meter: Signet 3-2551-XX-12 Magmeter.
- Supplied Automated Butterfly Valves: 6" Effluent, 4" Revival (pre-coat).
- Supplied Butterfly Valves: Strainer Isolation, Pump Throttle, Drain, Manual Fill.
- Supplied Ball Valves: Media Fill, System Vent, Tank Vent, Vacuum.
- Perlite Media Supplied: Purelite 1000 or Harborlite AP25.
- Control May Be Rotated Or Wall Mounted.
- Effluent Nozzle May Be Rotated Through 360 Degrees.



Certified to NSF/ANSI Standard 50



Certified to NSF/ANSI/CAN 61 & NSF/ANSI 372

PROPRIETARY AND CONFIDENTIAL
 THE INFORMATION CONTAINED IN THIS DRAWING IS THE SOLE PROPERTY OF AQUAREVIVAL LLC. ANY REPRODUCTION IN PART OR AS A WHOLE WITHOUT THE WRITTEN PERMISSION OF AQUAREVIVAL LLC IS PROHIBITED.

		UNLESS OTHERWISE SPECIFIED:		NAME		DATE		AquaRevival LLC TITLE: GENERAL ARRANGEMENT			
		DIMENSIONS ARE IN INCHES		DRAWN		PN				1/2/18	
		TOLERANCES:		CHECKED							
		FRACTIONAL: ±		ENG APPR.							
		ANGULAR: MACH ± BEND ±		MFG APPR.							
		TWO PLACE DECIMAL ±		Q.A.							
		THREE PLACE DECIMAL ±									
		INTERPRET GEOMETRIC TOLERANCING PER:									
		MATERIAL									
		FINISH									
NEXT ASSY		USED ON									
APPLICATION		DO NOT SCALE DRAWING									
						SIZE DWG. NO. REV B BSG 25		SCALE: 1:24 WEIGHT: SHEET 1 OF 1			

4

3

2

1