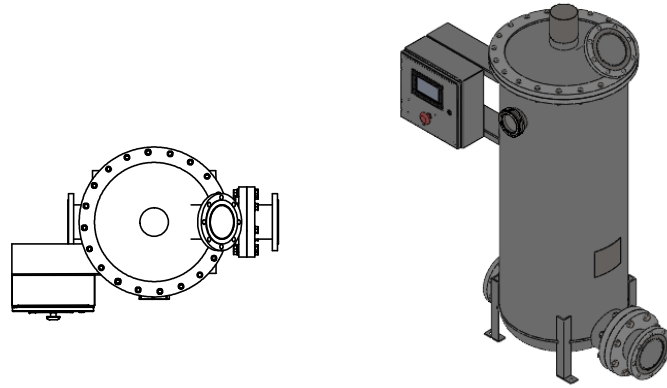


4

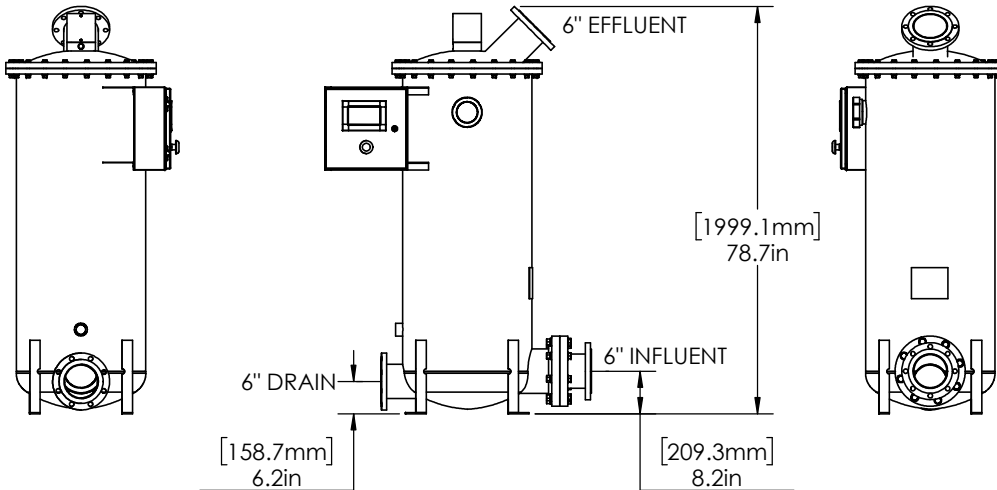
3

2

1



BSG 25T	Imperial	Metric
Filter Area	340 sq ft	31.6 sq meter
Flow Range	85 - 1020 GPM	19 - 232 m <sup>3</sup> /hr
Dry Weight	743 lbs	337 kg
Operating Weight	2192 lbs	994 kg
Tank Volume	171 USG	0.65 m <sup>3</sup>
Media Charge	25 lbs	11 kg



Notes:

- Length of straight pipe required on influent or effluent: None.
- Elbows directly on influent or effluent: Permitted.
- Standard maximum operating pressure: 50 psi.
- NSF approved cleaning method: CIP (clean-in-place)
- Automated cleaning cycle: Standard. No disassembly.
- Approved cleaning solutions are environmentally friendly: True.
- Control Voltage: 24VDC
- Control Valve Actuation: Compressed Air via 24VDC control.
- Preferred VFD: Danfoss Aqua Drive FC202 / Pentair Intellidrive XL
- Preferred Flow Meter: Signet 3-2551-XX-12 Magmeter.
- Supplied Automated Butterfly Valves: 6" Effluent, 4" Revival (pre-coat).
- Supplied Butterfly Valves: Strainer Isolation, Pump Throttle, Drain, Manual Fill.
- Supplied Ball Valves: Media Fill, System Vent, Tank Vent, Vacuum.
- Perlite Media Supplied: Purelite 1000 or Harborlite AP25.
- Control May Be Rotated Or Wall Mounted.
- Effluent Nozzle May Be Rotated Through 360 Degrees.



Certified to NSF/ANSI Standard 50



Certified to NSF/ANSI/CAN 61 & NSF/ANSI 372

PROPRIETARY AND CONFIDENTIAL

THE INFORMATION CONTAINED IN THIS DRAWING IS THE SOLE PROPERTY OF AQUAREVIVAL LLC. ANY REPRODUCTION IN PART OR AS A WHOLE WITHOUT THE WRITTEN PERMISSION OF AQUAREVIVAL LLC IS PROHIBITED.

		UNLESS OTHERWISE SPECIFIED:		NAME	DATE	AquaRevival LLC		
		DIMENSIONS ARE IN INCHES		DRAWN	PN	1/2/18	TITLE: <b>GENERAL ARRANGEMENT</b>	
		TOLERANCES:		CHECKED				
		FRACTIONAL: ±		ENG APPR.				
		ANGULAR: MACH ± BEND ±		MFG APPR.				
		TWO PLACE DECIMAL ±		Q.A.			SIZE DWG. NO. REV	
		THREE PLACE DECIMAL ±				<b>B</b> <b>BSG 25T</b>		
		INTERPRET GEOMETRIC TOLERANCING PER:				SCALE: 1:24		WEIGHT:
		MATERIAL				SHEET 1 OF 1		
NEXT ASSY	USED ON	FINISH						
APPLICATION		DO NOT SCALE DRAWING						

4

3

2

1

B

B

A

A