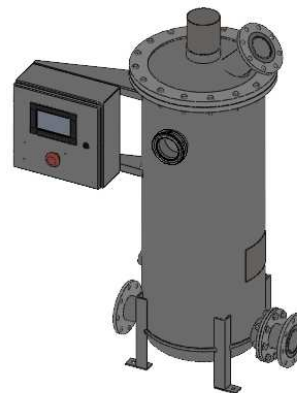
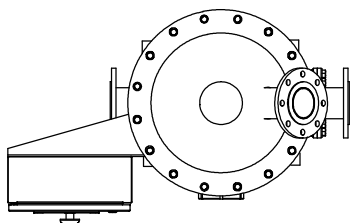


4

3

2

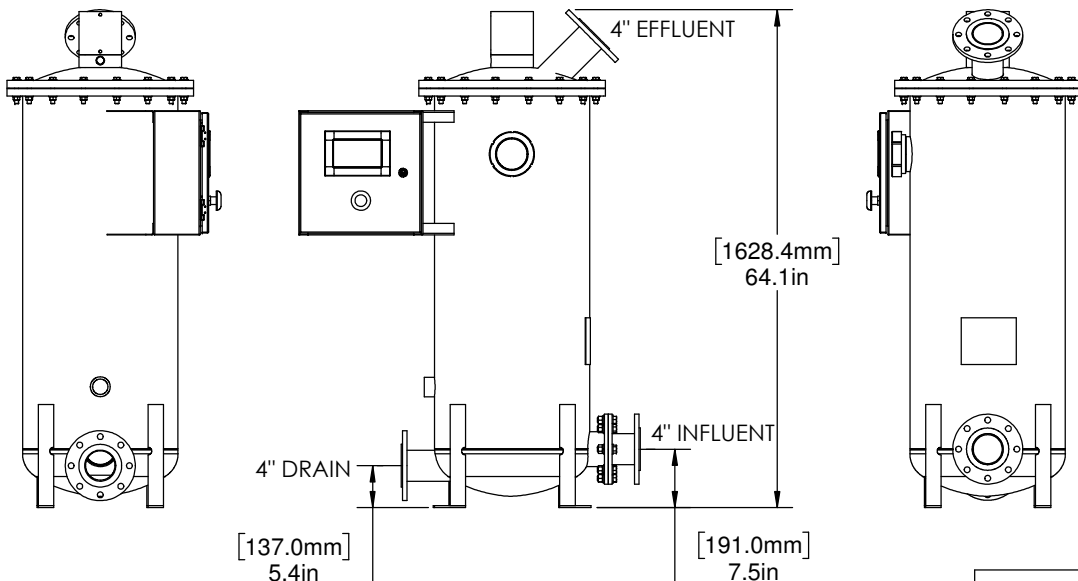
1



BSG 20	Imperial	Metric
Filter Area	150 sq ft	13.9 sq meter
Flow Range	50 - 450 GPM	11 - 102 m ³ /hr
Dry Weight	450 lbs	204 kg
Operating Weight	1,144 lbs	519 kg
Tank Volume	82 USG	0.31 m ³
Media Charge	11 lbs	5 kg

B

B



Notes:

- Length of straight pipe required on influent or effluent: None.
- Elbows directly on influent or effluent: Permitted.
- Standard maximum operating pressure: 50 psi.
- NSF approved cleaning method: CIP (clean-in-place)
- Automated cleaning cycle: Standard. No disassembly.
- Approved cleaning solutions are environmentally friendly: True.
- Control Voltage: 24VDC
- Control Valve Actuation: Compressed Air via 24VDC control.
- Preferred VFD: Danfoss Aqua Drive FC202 / Pentair Intellidrive XL
- Preferred Flow Meter: Signet 3-2551-XX-12 Magmeter.
- Supplied Automated Butterfly Valves: 4" Effluent, 4" Revival (pre-coat).
- Supplied Butterfly Valves: Strainer Isolation, Pump Throttle, Drain, Manual Fill.
- Supplied Ball Valves: Media Fill, System Vent, Tank Vent, Vacuum.
- Perlite Media Supplied: Puralite 1000 or Harborlite AP25.
- Control May Be Rotated Or Wall Mounted.
- Effluent Nozzle May Be Rotated Through 360 Degrees.

A

A



PROPRIETARY AND CONFIDENTIAL
 THE INFORMATION CONTAINED IN THIS DRAWING IS THE SOLE PROPERTY OF AQUAREVIVAL LLC. ANY REPRODUCTION IN PART OR AS A WHOLE WITHOUT THE WRITTEN PERMISSION OF AQUAREVIVAL LLC IS PROHIBITED.

		UNLESS OTHERWISE SPECIFIED:	NAME	DATE	AquaRevival LLC	
		DIMENSIONS ARE IN INCHES	DRAWN	PN		
		TOLERANCES:	CHECKED			TITLE: GENERAL ARRANGEMENT
		FRACTIONAL: ±	ENG APPR.			
		ANGULAR: MACH ± BEND ± TWO PLACE DECIMAL ± THREE PLACE DECIMAL ±	MFG APPR.			
		INTERPRET GEOMETRIC TOLERANCING PER:	G.A.			SIZE DWG. NO. REV B BSG 20
		MATERIAL	AQUAREVIVAL [®]			
NEXT ASSY	USED ON	FINISH				SCALE: 1:16
APPLICATION		DO NOT SCALE DRAWING				

4

3

2

1