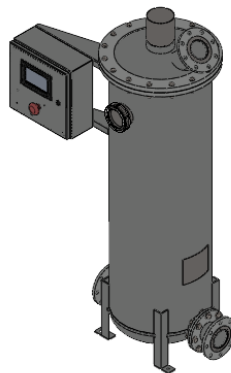
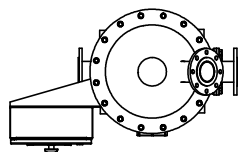


4

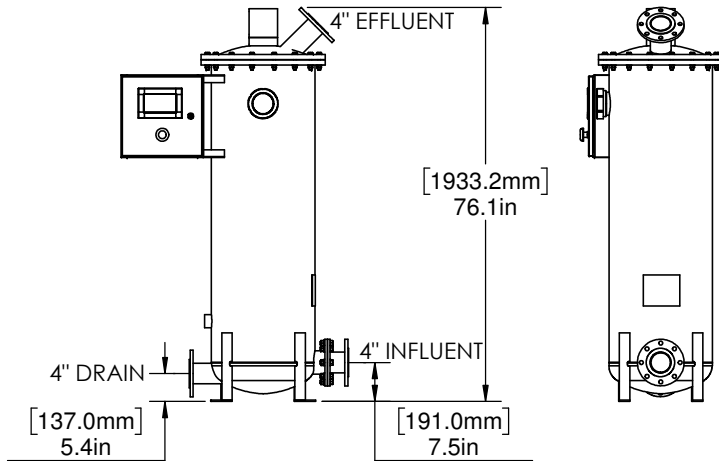
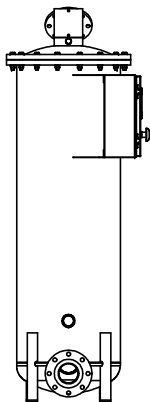
3

2

1



BSG 20T	Imperial	Metric
Filter Area	200 sq ft	18.6 sq meter
Flow Range	50 - 600 GPM	11 - 136 m <sup>3</sup> /hr
Dry Weight	479 lbs	217 kg
Operating Weight	1,401 lbs	635 kg
Tank Volume	109 USG	0.41 m <sup>3</sup>
Media Charge	15 lbs	6.8 kg



Notes:

- Length of straight pipe required on influent or effluent: None.
- Elbows directly on influent or effluent: Permitted.
- Standard maximum operating pressure: 50 psi.
- NSF approved cleaning method: CIP (clean-in-place)
- Automated cleaning cycle: Standard. No disassembly.
- Approved cleaning solutions are environmentally friendly: True.
- Control Voltage: 24VDC
- Control Valve Actuation: Compressed Air via 24VDC control.
- Preferred VFD: Danfoss Aqua Drive FC202 / Pentair Intellidrive XL
- Preferred Flow Meter: Signet 3-2551-XX-12 Magmeter.
- Supplied Automated Butterfly Valves: 4" Effluent, 4" Revival (pre-coat).
- Supplied Butterfly Valves: Strainer Isolation, Pump Throttle, Drain, Manual Fill.
- Supplied Ball Valves: Media Fill, System Vent, Tank Vent, Vacuum.
- Perlite Media Supplied: Purelite 1000 or Harborlite AP25.
- Control May Be Rotated Or Wall Mounted.
- Effluent Nozzle May Be Rotated Through 360 Degrees.



**PROPRIETARY AND CONFIDENTIAL**  
 THE INFORMATION CONTAINED IN THIS DRAWING IS THE SOLE PROPERTY OF AQUAREVIVAL LLC. ANY REPRODUCTION IN PART OR AS A WHOLE WITHOUT THE WRITTEN PERMISSION OF AQUAREVIVAL LLC IS PROHIBITED.

		UNLESS OTHERWISE SPECIFIED:	NAME	DATE	<b>AquaRevival LLC</b> TITLE: <b>GENERAL ARRANGEMENT</b>		
		DIMENSIONS ARE IN INCHES	DRAWN	PN			1/2/18
		TOLERANCES:	CHECKED				
		FRACTIONAL ±	ENG APPR.				
		ANGULAR: MACH ± BEND ±	MFG APPR.			SIZE DWG. NO. REV <b>B</b> <b>BSG 20T</b>	
		TWO PLACE DECIMAL ±	Q.A.				
		THREE PLACE DECIMAL ±				SCALE: 1:24 WEIGHT: SHEET 1 OF 1	
		INTERPRET GEOMETRIC TOLERANCING PER:					
		MATERIAL					
		FINISH					
NEXT ASSY	USED ON	APPLICATION					
		DO NOT SCALE DRAWING					

4

3

2

1

B

B

A

A