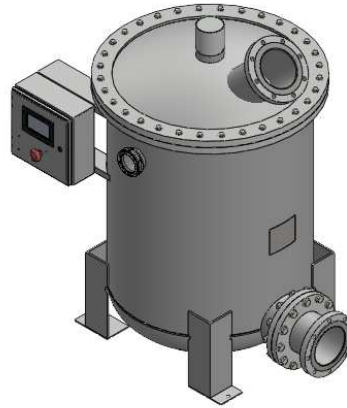
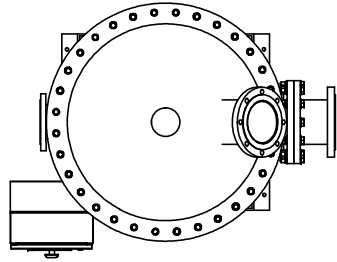


4

3

2

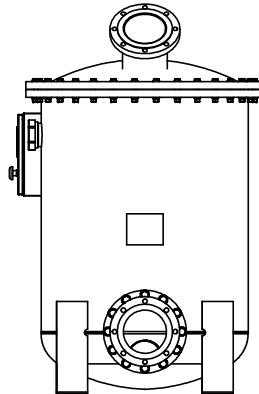
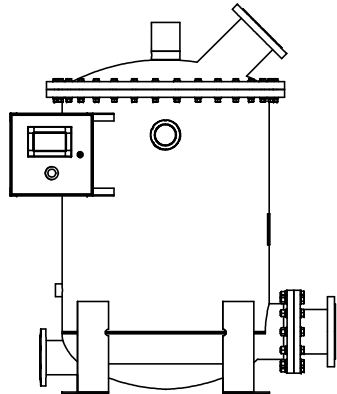
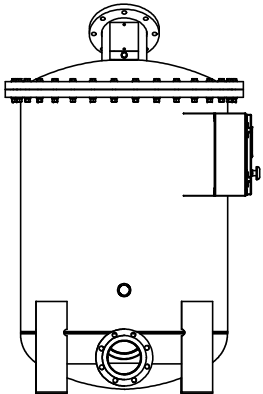
1



BSG 40	Imperial	Metric
Filter Area	705 sq ft	65.5 sq meter
Flow Range	235 - 1410 GPM	53 - 320 m <sup>3</sup> /hr
Dry Weight	1387 lbs	629 kg
Operating Weight	4388 lbs	1990 kg
Tank Volume	354 USG	1.34 m <sup>3</sup>
Media Charge	53 lbs	24 kg

B

B



Notes:

- Length of straight pipe required on influent or effluent: None.
- Elbows directly on influent or effluent: Permitted.
- Standard maximum operating pressure: 50 psi.
- NSF approved cleaning method: CIP (clean-in-place)
- Automated cleaning cycle: Standard. No disassembly.
- Approved cleaning solutions are environmentally friendly: True.
- Control Voltage: 24VDC
- Control Valve Actuation: Compressed Air via 24VDC control.
- Preferred VFD: Danfoss Aqua Drive FC202 / Pentair Intellidrive XL
- Preferred Flow Meter: Signet 3-2551-XX-12 Magmeter.
- Supplied Automated Butterfly Valves: 8" Effluent, 6" Revival (pre-coat).
- Supplied Butterfly Valves: Strainer Isolation, Pump Throttle, Drain, Manual Fill.
- Supplied Ball Valves: Media Fill, System Vent, Tank Vent, Vacuum.
- Perlite Media Supplied: Purelite 1000 or Harborlite AP25.
- Control May Be Rotated Or Wall Mounted.
- Effluent Nozzle May Be Rotated Through 360 Degrees.

A

A



Certified to NSF/ANSI Standard 50



Certified to NSF/ANSI/CAN 61 & NSF/ANSI 372

**PROPRIETARY AND CONFIDENTIAL**  
 THE INFORMATION CONTAINED IN THIS DRAWING IS THE SOLE PROPERTY OF AQUAREVIVAL LLC. ANY REPRODUCTION IN PART OR AS A WHOLE WITHOUT THE WRITTEN PERMISSION OF AQUAREVIVAL LLC IS PROHIBITED.

		UNLESS OTHERWISE SPECIFIED:		NAME	DATE	<b>AquaRevival LLC</b> TITLE: <b>GENERAL ARRANGEMENT</b>					
		DIMENSIONS ARE IN INCHES		DRAWN	PN			1/2/18			
		TOLERANCES:		CHECKED							
		FRACTIONAL ±		ENG APPR.							
		ANGULAR: MACH ± BEND ±		MFG APPR.							
		TWO PLACE DECIMAL ±		Q.A.			SIZE	DWG. NO.	REV		
		THREE PLACE DECIMAL ±				<b>B</b>		<b>BSG 40</b>			
		INTERPRET GEOMETRIC TOLERANCING PER:				SCALE: 1:24		WEIGHT:		SHEET 1 OF 1	
		MATERIAL									
		FINISH									
		APPLICATION									
		NEXT ASSY									
		USED ON									

4

3

2

1