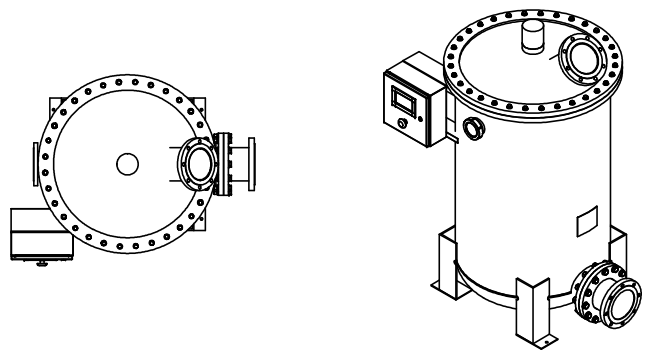


4

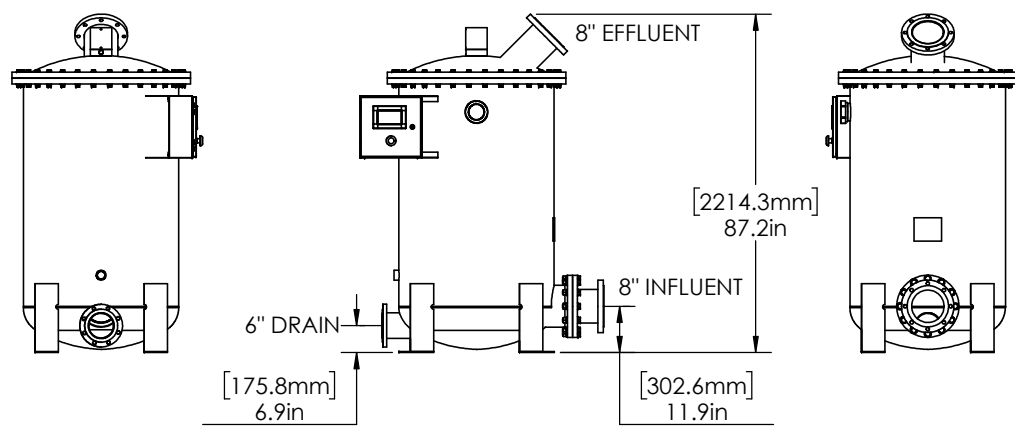
3

2

1



BSG 40T	Imperial	Metric
Filter Area	940 sq ft	87.3 sq meter
Flow Range	235 - 1880 GPM	53 - 427 m ³ /hr
Dry Weight	1425 lbs	646 kg
Operating Weight	5411 lbs	2454 kg
Tank Volume	470 USG	1.78 m ³
Media Charge	71 lbs	32 kg



- Notes:
- Length of straight pipe required on influent or effluent: None.
 - Elbows directly on influent or effluent: Permitted.
 - Standard maximum operating pressure: 50 psi.
 - NSF approved cleaning method: CIP (clean-in-place)
 - Automated cleaning cycle: Standard. No disassembly.
 - Approved cleaning solutions are environmentally friendly: True.
 - Control Voltage: 24VDC
 - Control Valve Actuation: Compressed Air via 24VDC control.
 - Preferred VFD: Danfoss Aqua Drive FC202 / Pentair Intellidrive XL
 - Preferred Flow Meter: Signet 3-2551-XX-12 Magmeter.
 - Supplied Automated Butterfly Valves: 8" Effluent, 6" Revival (pre-coat).
 - Supplied Butterfly Valves: Strainer Isolation, Pump Throttle, Drain, Manual Fill.
 - Supplied Ball Valves: Media Fill, System Vent, Tank Vent, Vacuum.
 - Perlite Media Supplied: Purelite 1000 or Harborlite AP25.
 - Control May Be Rotated Or Wall Mounted.
 - Effluent Nozzle May Be Rotated Through 360 Degrees.



PROPRIETARY AND CONFIDENTIAL
 THE INFORMATION CONTAINED IN THIS DRAWING IS THE SOLE PROPERTY OF AQUAREVIVAL LLC. ANY REPRODUCTION IN PART OR AS A WHOLE WITHOUT THE WRITTEN PERMISSION OF AQUAREVIVAL LLC IS PROHIBITED.

		UNLESS OTHERWISE SPECIFIED:	NAME	DATE	AquaRevival LLC TITLE: GENERAL ARRANGEMENT		
		DIMENSIONS ARE IN INCHES	DRAWN	PN			1/2/18
		TOLERANCES:	CHECKED				
		FRACTIONAL: ±	ENG APPR.				
		ANGULAR: MACH ± BEND ±	MFG APPR.			SIZE DWG. NO. REV B BSG 40T	
		TWO PLACE DECIMAL ±	Q.A.				
		THREE PLACE DECIMAL ±				SCALE: 1:32 WEIGHT: SHEET 1 OF 1	
		INTERPRET GEOMETRIC TOLERANCING PER:					
		MATERIAL					
		FINISH					
NEXT ASSY	USED ON	APPLICATION					
		DO NOT SCALE DRAWING					

4

3

2

1

B

B

A

A