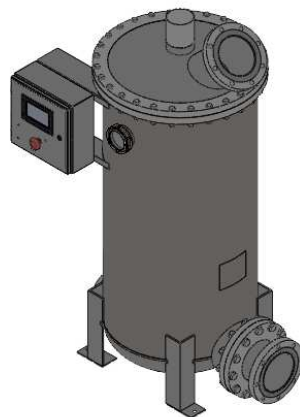
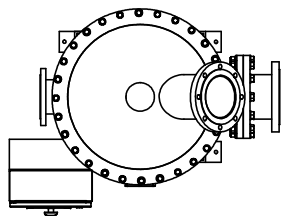


4

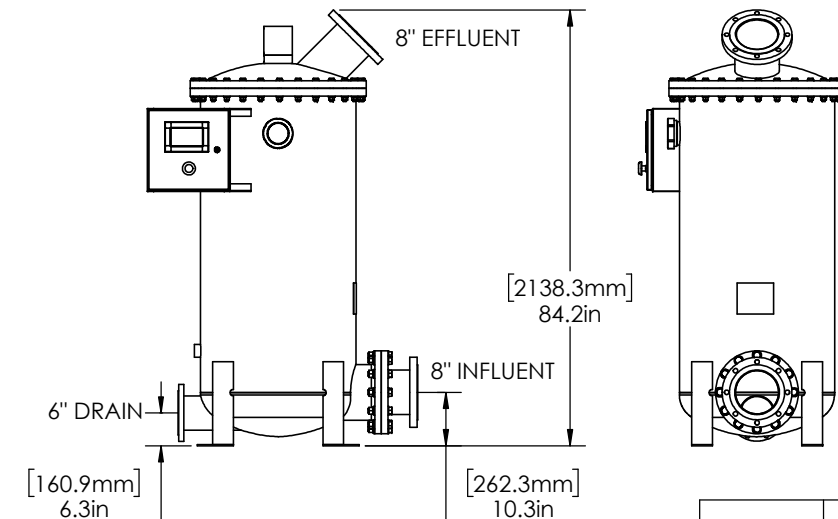
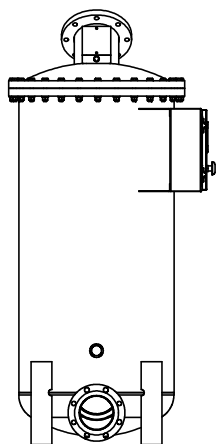
3

2

1



| BSG 30T | Imperial | Metric |
|------------------|----------------|-----------------------------|
| Filter Area | 508 sq ft | 47.2 sq meter |
| Flow Range | 127 - 1016 GPM | 29 - 231 m ³ /hr |
| Dry Weight | 1088 lbs | 494 kg |
| Operating Weight | 2669 lbs | 1210 kg |
| Tank Volume | 255 USG | 0.97 m ³ |
| Media Charge | 39 lbs | 18 kg |



Notes:

- Length of straight pipe required on influent or effluent: None.
- Elbows directly on influent or effluent: Permitted.
- Standard maximum operating pressure: 50 psi.
- NSF approved cleaning method: CIP (clean-in-place)
- Automated cleaning cycle: Standard. No disassembly.
- Approved cleaning solutions are environmentally friendly: True.
- Control Voltage: 24VDC
- Control Valve Actuation: Compressed Air via 24VDC control.
- Preferred VFD: Danfoss Aqua Drive FC202 / Pentair Intellidrive XL
- Preferred Flow Meter: Signet 3-2551-XX-12 Magmeter.
- Supplied Automated Butterfly Valves: 8" Effluent, 6" Revival (pre-coat).
- Supplied Butterfly Valves: Strainer Isolation, Pump Throttle, Drain, Manual Fill.
- Supplied Ball Valves: Media Fill, System Vent, Tank Vent, Vacuum.
- Perlite Media Supplied: Purelite 1000 or Harborlite AP25.
- Control May Be Rotated Or Wall Mounted.
- Effluent Nozzle May Be Rotated Through 360 Degrees.



PROPRIETARY AND CONFIDENTIAL
 THE INFORMATION CONTAINED IN THIS DRAWING IS THE SOLE PROPERTY OF AQUAREVIVAL LLC. ANY REPRODUCTION IN PART OR AS A WHOLE WITHOUT THE WRITTEN PERMISSION OF AQUAREVIVAL LLC IS PROHIBITED.

| | | | | | | | |
|-----------|---------|--------------------------------------|-----------|------|--|---------------------------------------|--------|
| | | UNLESS OTHERWISE SPECIFIED: | NAME | DATE | AquaRevival LLC TITLE: GENERAL ARRANGEMENT | | |
| | | DIMENSIONS ARE IN INCHES | DRAWN | PN | | | 1/2/18 |
| | | TOLERANCES: | CHECKED | | | | |
| | | FRACTIONAL ± | ENG APPR. | | | | |
| | | ANGULAR: MACH ± BEND ± | MFG APPR. | | | SIZE DWG. NO. REV B BSG 30T | |
| | | TWO PLACE DECIMAL ± | Q.A. | | | | |
| | | THREE PLACE DECIMAL ± | | | | SCALE: 1:24 WEIGHT: SHEET 1 OF 1 | |
| | | INTERPRET GEOMETRIC TOLERANCING PER: | | | | | |
| | | MATERIAL | | | | | |
| | | FINISH | | | | | |
| NEXT ASSY | USED ON | APPLICATION | | | | | |
| | | DO NOT SCALE DRAWING | | | | | |

4

3

2

1

B

B

A

A