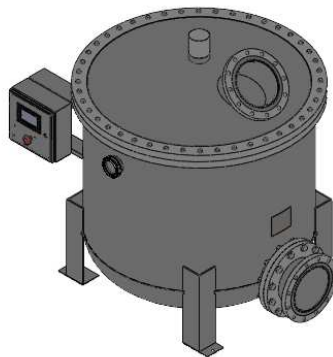
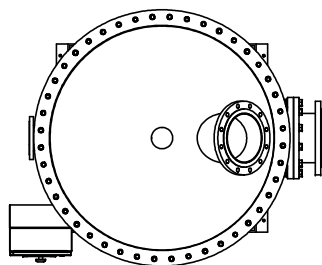


4

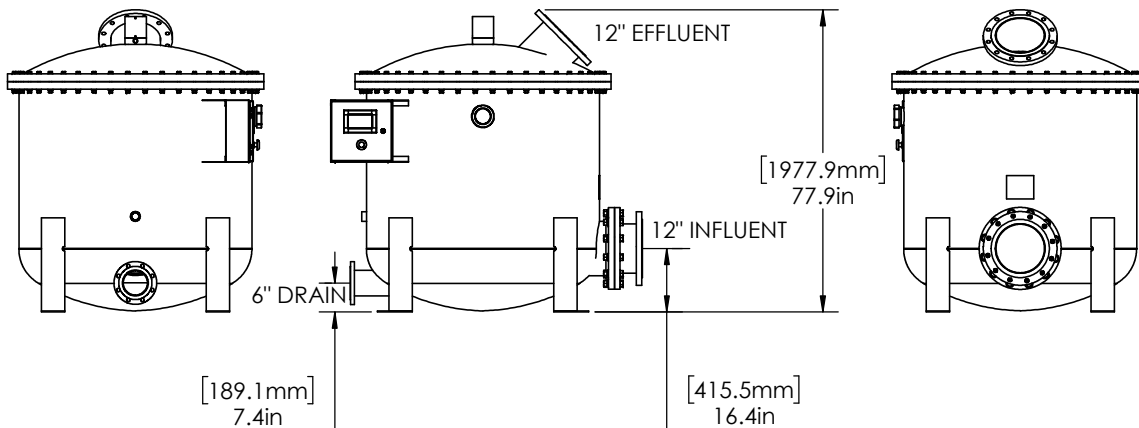
3

2

1



BSG 60	Imperial	Metric
Filter Area	1667 sq ft	154.9 sq meter
Flow Range	575 - 2835 GPM	127 - 644 m <sup>3</sup> /hr
Dry Weight	2777 lbs	1259 kg
Operating Weight	9716 lbs	4407 kg
Tank Volume	818 USG	3.10 m <sup>3</sup>
Media Charge	125 lbs	57 kg



Notes:

1. Length of straight pipe required on influent or effluent: None.
2. Elbows directly on influent or effluent: Permitted.
3. Standard maximum operating pressure: 50 psi.
4. NSF approved cleaning method: CIP (clean-in-place)
5. Automated cleaning cycle: Standard. No disassembly.
6. Approved cleaning solutions are environmentally friendly: True.
7. Control Voltage: 24VDC
8. Control Valve Actuation: Compressed Air via 24VDC control.
9. Preferred VFD: Danfoss Aqua Drive FC202 / Pentair Intellidrive XL
10. Preferred Flow Meter: Signet 3-2551-XX-12 Magmeter.
11. Supplied Automated Butterfly Valves: 12" Effluent, 8" Revival (pre-coat).
12. Supplied Butterfly Valves: Strainer Isolation, Pump Throttle, Drain, Manual Fill.
13. Supplied Ball Valves: Media Fill, System Vent, Tank Vent, Vacuum.
14. Perlite Media Supplied: Purelite 1000 or Harborlite AP25.
15. Control May Be Rotated Or Wall Mounted.
16. Effluent Nozzle May Be Rotated Through 360 Degrees.



Certified to  
NSF/ANSI Standard 50



Certified to  
NSF/ANSI-CAN 61  
& NSF/ANSI 372

**PROPRIETARY AND CONFIDENTIAL**  
THE INFORMATION CONTAINED IN THIS DRAWING IS THE SOLE PROPERTY OF AQUAREVIVAL LLC. ANY REPRODUCTION IN PART OR AS A WHOLE WITHOUT THE WRITTEN PERMISSION OF AQUAREVIVAL LLC IS PROHIBITED.

		UNLESS OTHERWISE SPECIFIED:	NAME	DATE	AquaRevival LLC	
		DIMENSIONS ARE IN INCHES	DRAWN	PN	1/2/18	TITLE: <b>GENERAL ARRANGEMENT</b>
		TOLERANCES:	CHECKED			
		FRACTIONAL	ENG APPR.			
		ANGULAR: MACH BEND	MFG APPR.			
		TWO PLACE DECIMAL	Q.A.			SIZE DWG. NO. REV
		THREE PLACE DECIMAL			<b>B</b> <b>BSG 60</b>	
		INTERPRET GEOMETRIC TOLERANCING PER:			SCALE: 1:32 WEIGHT:	
		MATERIAL				
		FINISH				
NEXT ASSY	USED ON	APPLICATION				
		DO NOT SCALE DRAWING				

4

3

2

1

B

B

A

A