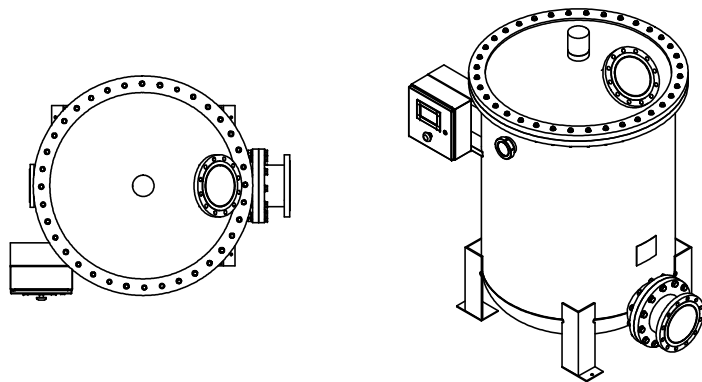


4

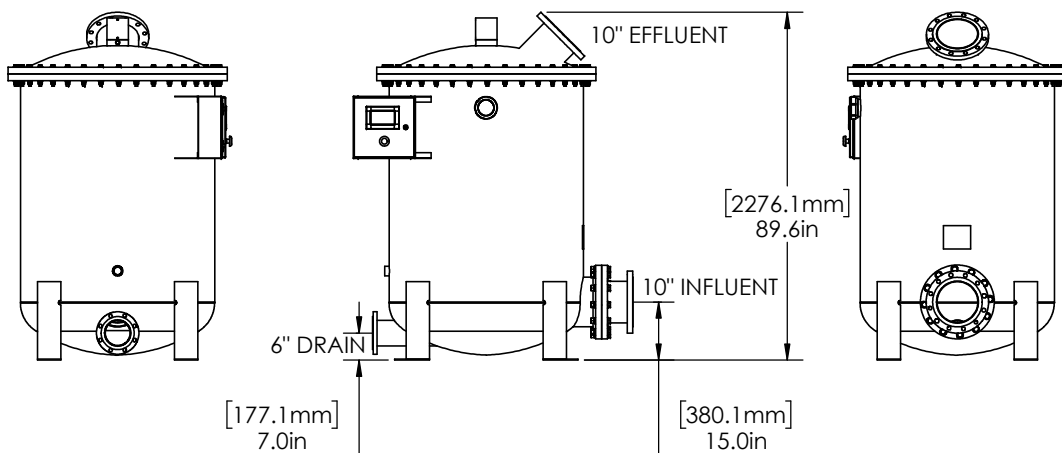
3

2

1



BSG 50T	Imperial	Metric
Filter Area	1488 sq ft	138.2 sq meter
Flow Range	373 - 2530 GPM	84 - 575 m <sup>3</sup> /hr
Dry Weight	1992 lbs	904 kg
Operating Weight	8234 lbs	3734 kg
Tank Volume	736 USG	2.79 m <sup>3</sup>
Media Charge	112 lbs	51 kg



Notes:

- Length of straight pipe required on influent or effluent: None.
- Elbows directly on influent or effluent: Permitted.
- Standard maximum operating pressure: 50 psi.
- NSF approved cleaning method: CIP (clean-in-place)
- Automated cleaning cycle: Standard. No disassembly.
- Approved cleaning solutions are environmentally friendly: True.
- Control Voltage: 24VDC
- Control Valve Actuation: Compressed Air via 24VDC control.
- Preferred VFD: Danfoss Aqua Drive FC202 / Pentair Intellidrive XL
- Preferred Flow Meter: Signet 3-2551-XX-12 Magmeter.
- Supplied Automated Butterfly Valves: 10" Effluent, 8" Revival (pre-coat).
- Supplied Butterfly Valves: Strainer Isolation, Pump Throttle, Drain, Manual Fill.
- Supplied Ball Valves: Media Fill, System Vent, Tank Vent, Vacuum.
- Perlite Media Supplied: Purelite 1000 or Harbortrite AP25.
- Control May Be Rotated Or Wall Mounted.
- Effluent Nozzle May Be Rotated Through 360 Degrees.



Certified to NSF/ANSI Standard 50



Certified to NSF/ANSI-CAN 61 & NSF/ANSI 372

**PROPRIETARY AND CONFIDENTIAL**  
 THE INFORMATION CONTAINED IN THIS DRAWING IS THE SOLE PROPERTY OF AQUAREVIVAL LLC. ANY REPRODUCTION IN PART OR AS A WHOLE WITHOUT THE WRITTEN PERMISSION OF AQUAREVIVAL LLC IS PROHIBITED.

		UNLESS OTHERWISE SPECIFIED:		NAME	DATE	<b>AquaRevival LLC</b> TITLE: <b>GENERAL ARRANGEMENT</b>				
		DIMENSIONS ARE IN INCHES		DRAWN	PN			1/2/18		
		TOLERANCES:		CHECKED						
		FRACTIONAL		ENG APPR.						
		ANGULAR: MACH BEND		MFG APPR.						
		TWO PLACE DECIMAL		Q.A.			SIZE	DWG. NO.	REV	
		THREE PLACE DECIMAL				<b>B</b>		<b>BSG 50T</b>		
		INTERPRET GEOMETRIC TOLERANCING PER:				SCALE: 1:32		WEIGHT:		SHEET 1 OF 1
		MATERIAL								
		FINISH								
NEXT ASSY		USED ON								
APPLICATION		DO NOT SCALE DRAWING								

4

3

2

1