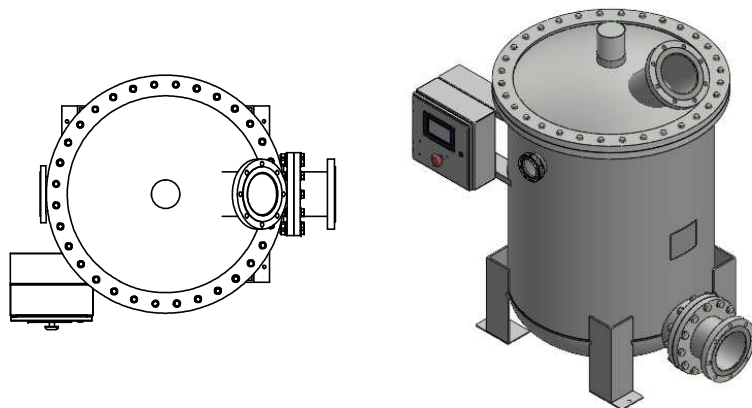


4

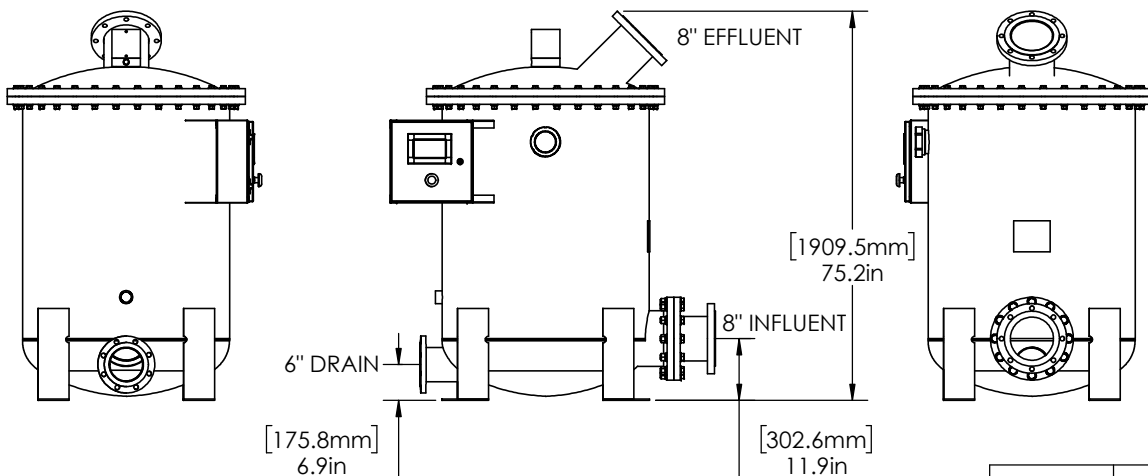
3

2

1



BSG 40	Imperial	Metric
Filter Area	705 sq ft	65.5 sq meter
Flow Range	235 - 1200 GPM	53 - 273 m ³ /hr
Dry Weight	1387 lbs	629 kg
Operating Weight	4388 lbs	1990 kg
Tank Volume	354 USG	1.34 m ³
Media Charge	53 lbs	24 kg



Notes:

- Length of straight pipe required on influent or effluent: None.
- Elbows directly on influent or effluent: Permitted.
- Standard maximum operating pressure: 50 psi.
- NSF approved cleaning method: CIP (clean-in-place)
- Automated cleaning cycle: Standard. No disassembly.
- Approved cleaning solutions are environmentally friendly: True.
- Control Voltage: 24VDC
- Control Valve Actuation: Compressed Air via 24VDC control.
- Preferred VFD: Danfoss Aqua Drive FC202 / Pentair Intellidrive XL
- Preferred Flow Meter: Signet 3-2551-XX-12 Magmeter.
- Supplied Automated Butterfly Valves: 8" Effluent, 6" Revival (pre-coat).
- Supplied Butterfly Valves: Strainer Isolation, Pump Throttle, Drain, Manual Fill.
- Supplied Ball Valves: Media Fill, System Vent, Tank Vent, Vacuum.
- Perlite Media Supplied: Purelite 1000 or Harborlite AP25.
- Control May Be Rotated Or Wall Mounted.
- Effluent Nozzle May Be Rotated Through 360 Degrees.



PROPRIETARY AND CONFIDENTIAL
 THE INFORMATION CONTAINED IN THIS DRAWING IS THE SOLE PROPERTY OF AQUAREVIVAL LLC. ANY REPRODUCTION IN PART OR AS A WHOLE WITHOUT THE WRITTEN PERMISSION OF AQUAREVIVAL LLC IS PROHIBITED.

		UNLESS OTHERWISE SPECIFIED:	NAME	DATE	AquaRevival LLC	
		DIMENSIONS ARE IN INCHES	DRAWN	PN		1/2/18
		TOLERANCES:	CHECKED			
		FRACTIONAL	ENG APPR.			
		ANGULAR: MACH BEND	MFG APPR.			
		TWO PLACE DECIMAL				
		THREE PLACE DECIMAL				
		INTERPRET GEOMETRIC TOLERANCING PER:	G.A.			
		MATERIAL			SIZE	
		FINISH			DWG. NO.	REV
NEXT ASSY	USED ON	APPLICATION	DO NOT SCALE DRAWING		B	
					BSG 40	
					SCALE: 1:24	
					WEIGHT:	
					SHEET 1 OF 1	

4

3

2

1