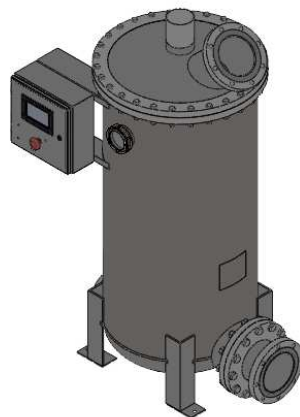
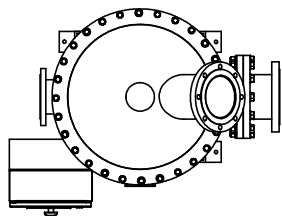


4

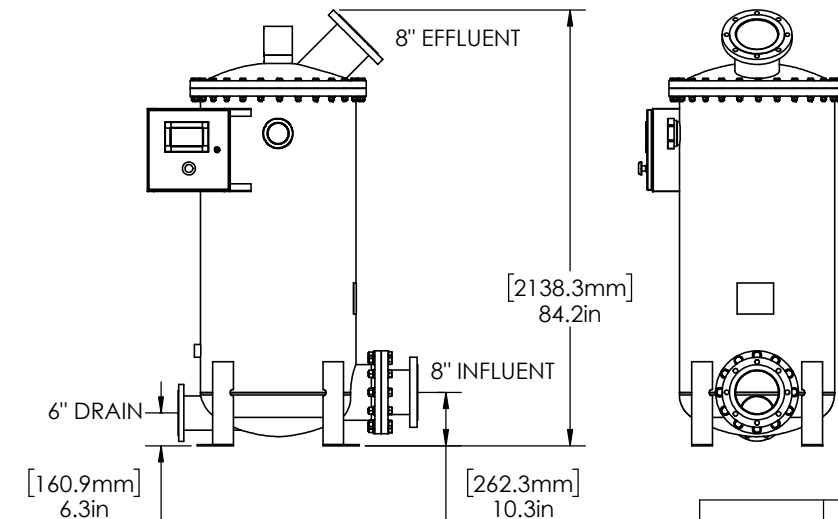
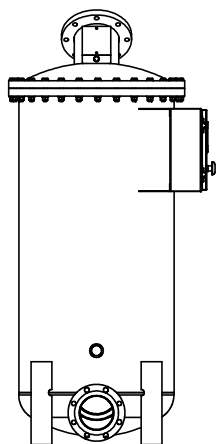
3

2

1



BSG 30T	Imperial	Metric
Filter Area	508 sq ft	47.2 sq meter
Flow Range	127 - 863 GPM	29 - 196 m <sup>3</sup> /hr
Dry Weight	1088 lbs	494 kg
Operating Weight	2669 lbs	1210 kg
Tank Volume	255 USG	0.97 m <sup>3</sup>
Media Charge	39 lbs	18 kg



Notes:

- Length of straight pipe required on influent or effluent: None.
- Elbows directly on influent or effluent: Permitted.
- Standard maximum operating pressure: 50 psi.
- NSF approved cleaning method: CIP (clean-in-place)
- Automated cleaning cycle: Standard. No disassembly.
- Approved cleaning solutions are environmentally friendly: True.
- Control Voltage: 24VDC
- Control Valve Actuation: Compressed Air via 24VDC control.
- Preferred VFD: Danfoss Aqua Drive FC202 / Pentair Intellidrive XL
- Preferred Flow Meter: Signet 3-2551-XX-12 Magmeter.
- Supplied Automated Butterfly Valves: 8" Effluent, 6" Revival (pre-coat).
- Supplied Butterfly Valves: Strainer Isolation, Pump Throttle, Drain, Manual Fill.
- Supplied Ball Valves: Media Fill, System Vent, Tank Vent, Vacuum.
- Perlite Media Supplied: Purelite 1000 or Harborlite AP25.
- Control May Be Rotated Or Wall Mounted.
- Effluent Nozzle May Be Rotated Through 360 Degrees.



**PROPRIETARY AND CONFIDENTIAL**  
 THE INFORMATION CONTAINED IN THIS DRAWING IS THE SOLE PROPERTY OF AQUAREVIVAL LLC. ANY REPRODUCTION IN PART OR AS A WHOLE WITHOUT THE WRITTEN PERMISSION OF AQUAREVIVAL LLC IS PROHIBITED.

		UNLESS OTHERWISE SPECIFIED:		NAME	DATE	<b>AquaRevival LLC</b> TITLE: <b>GENERAL ARRANGEMENT</b>			
		DIMENSIONS ARE IN INCHES		DRAWN	PN			1/2/18	
		TOLERANCES:		CHECKED					
		FRACTIONAL		ENG APPR.					
		ANGULAR: MACH BEND		MFG APPR.			SIZE	DWG. NO.	REV
		TWO PLACE DECIMAL		Q.A.			<b>B</b>	<b>BSG 30T</b>	
		THREE PLACE DECIMAL					SCALE: 1:24	WEIGHT:	SHEET 1 OF 1
		INTERPRET GEOMETRIC TOLERANCING PER:							
		MATERIAL							
		FINISH							
NEXT ASSY	USED ON	APPLICATION							
		DO NOT SCALE DRAWING							

4

3

2

1

B

B

A

A