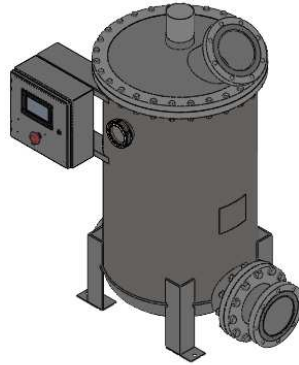
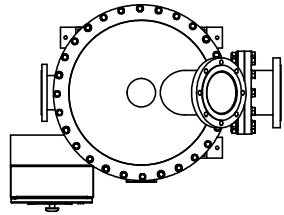


4

3

2

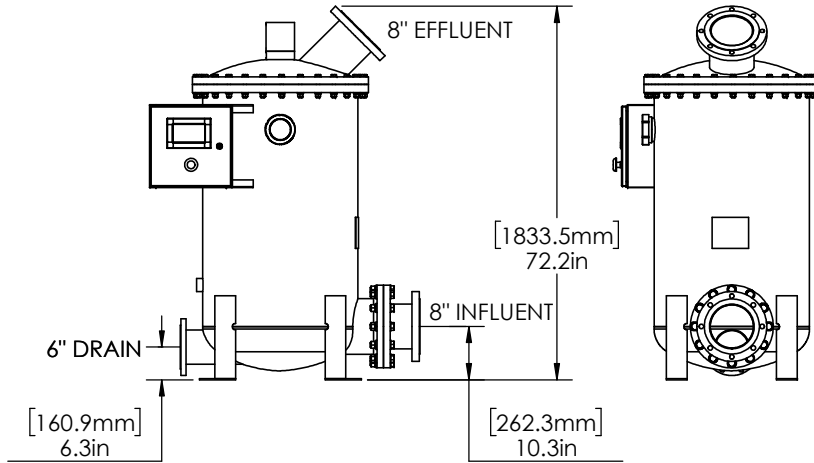
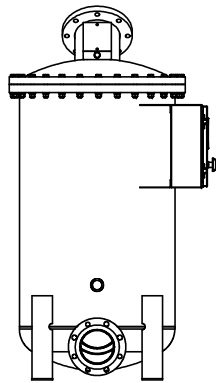
1



BSG 30	Imperial	Metric
Filter Area	381 sq ft	35.4 sq meter
Flow Range	127 - 650 GPM	29 - 148 m ³ /hr
Dry Weight	1041 lbs	472 kg
Operating Weight	2669 lbs	1210 kg
Tank Volume	192 USG	0.73 m ³
Media Charge	29 lbs	13 kg

Notes:

- Length of straight pipe required on influent or effluent: None.
- Elbows directly on influent or effluent: Permitted.
- Standard maximum operating pressure: 50 psi.
- NSF approved cleaning method: CIP (clean-in-place)
- Automated cleaning cycle: Standard. No disassembly.
- Approved cleaning solutions are environmentally friendly: True.
- Control Voltage: 24VDC
- Control Valve Actuation: Compressed Air via 24VDC control.
- Preferred VFD: Danfoss Aqua Drive FC202 / Pentair Intellidrive XL
- Preferred Flow Meter: Signet 3-2551-XX-12 Magmeter.
- Supplied Automated Butterfly Valves: 8" Effluent, 6" Revival (pre-coat).
- Supplied Butterfly Valves: Strainer Isolation, Pump Throttle, Drain, Manual Fill.
- Supplied Ball Valves: Media Fill, System Vent, Tank Vent, Vacuum.
- Perlite Media Supplied: Purelite 1000 or Harborlite AP25.
- Control May Be Rotated Or Wall Mounted.
- Effluent Nozzle May Be Rotated Through 360 Degrees.



PROPRIETARY AND CONFIDENTIAL
 THE INFORMATION CONTAINED IN THIS DRAWING IS THE SOLE PROPERTY OF AQUAREVIVAL LLC. ANY REPRODUCTION IN PART OR AS A WHOLE WITHOUT THE WRITTEN PERMISSION OF AQUAREVIVAL LLC IS PROHIBITED.

		UNLESS OTHERWISE SPECIFIED:		NAME		DATE		AquaRevival LLC TITLE: GENERAL ARRANGEMENT	
		DIMENSIONS ARE IN INCHES		DRAWN		1/2/18			
		TOLERANCES:		CHECKED					
		FRACTIONAL		ENG APPR.					
		ANGULAR: MACH BEND		MFG APPR.				SIZE DWG. NO. REV B BSG 30	
		TWO PLACE DECIMAL		Q.A.				SCALE: 1:24 WEIGHT: SHEET 1 OF 1	
		THREE PLACE DECIMAL							
		INTERPRET GEOMETRIC TOLERANCING PER:							
		MATERIAL							
		FINISH							
NEXT ASSY		USED ON							
APPLICATION		DO NOT SCALE DRAWING							

4

3

2

1

