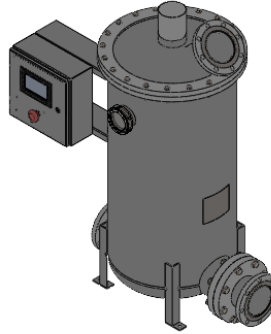
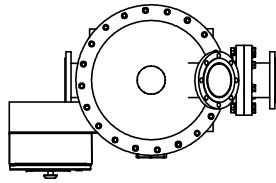


4

3

2

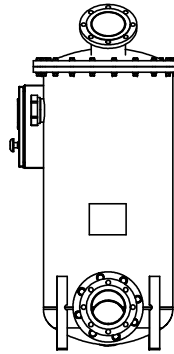
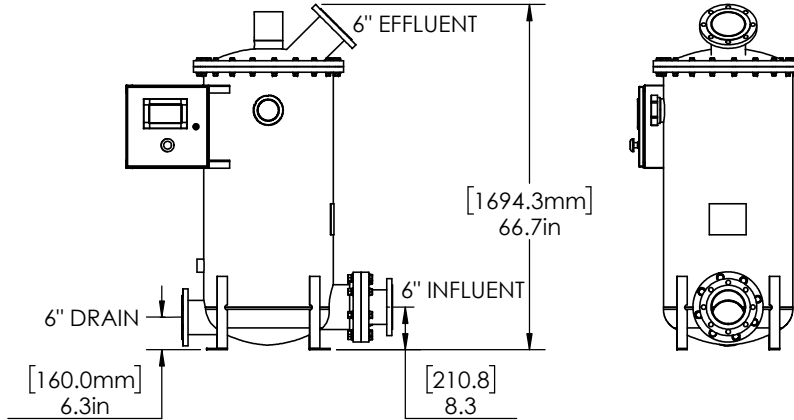
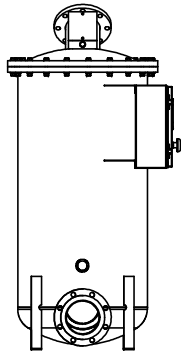
1



BSG 25	Imperial	Metric
Filter Area	256 sq ft	23.8 sq meter
Flow Range	85 - 440 GPM	19 - 100 m ³ /hr
Dry Weight	707 lbs	321 kg
Operating Weight	1,800 lbs	816 kg
Tank Volume	129 USG	0.49 m ³
Media Charge	19 lbs	9 kg

B

B



Notes:

- Length of straight pipe required on influent or effluent: None.
- Elbows directly on influent or effluent: Permitted.
- Standard maximum operating pressure: 50 psi.
- NSF approved cleaning method: CIP (clean-in-place)
- Automated cleaning cycle: Standard. No disassembly.
- Approved cleaning solutions are environmentally friendly: True.
- Control Voltage: 24VDC
- Control Valve Actuation: Compressed Air via 24VDC control.
- Preferred VFD: Danfoss Aqua Drive FC202 / Pentair Intellidrive XL
- Preferred Flow Meter: Signet 3-2551-XX-12 Magmeter.
- Supplied Automated Butterfly Valves: 6" Effluent, 4" Revival (pre-coat).
- Supplied Butterfly Valves: Strainer Isolation, Pump Throttle, Drain, Manual Fill.
- Supplied Ball Valves: Media Fill, System Vent, Tank Vent, Vacuum.
- Perlite Media Supplied: Purelite 1000 or Harborlite AP25.
- Control May Be Rotated Or Wall Mounted.
- Effluent Nozzle May Be Rotated Through 360 Degrees.

A

A



PROPRIETARY AND CONFIDENTIAL
 THE INFORMATION CONTAINED IN THIS DRAWING IS THE SOLE PROPERTY OF AQUAREVIVAL LLC. ANY REPRODUCTION IN PART OR AS A WHOLE WITHOUT THE WRITTEN PERMISSION OF AQUAREVIVAL LLC IS PROHIBITED.

		UNLESS OTHERWISE SPECIFIED:	NAME	DATE	AquaRevival LLC	
		DIMENSIONS ARE IN INCHES	DRAWN	PN		
		TOLERANCES:	CHECKED			TITLE: GENERAL ARRANGEMENT
		FRACTIONAL	ENG APPR.			
		ANGULAR: MACH BEND	MFG APPR.			
		TWO PLACE DECIMAL	Q.A.			SIZE DWG. NO. REV
		THREE PLACE DECIMAL			B BSG 25	
		INTERPRET GEOMETRIC TOLERANCING PER:				
		MATERIAL			SCALE: 1:24 WEIGHT: SHEET 1 OF 1	
		FINISH				
		APPLICATION				
NEXT ASSY	USED ON					
		DO NOT SCALE DRAWING				

4

3

2

1